

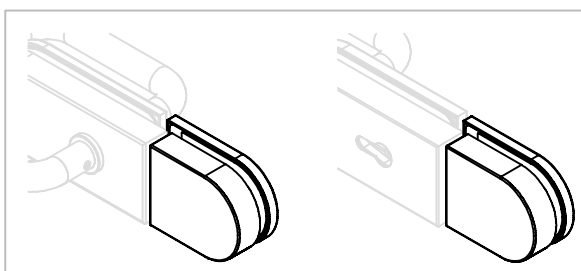
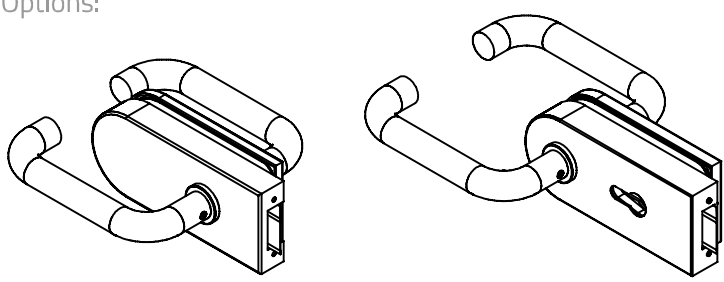
Installation Instruction

Part 1

Stainless Steel Glass Door Lock with Lever Handles
 Stainless Steel Glass Door Latch with Lever Handles



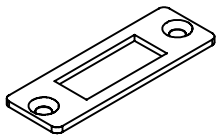
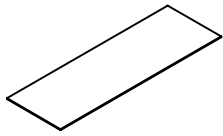
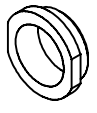
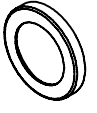
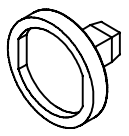
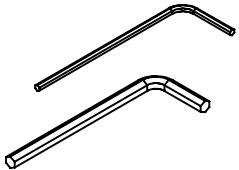
Options:



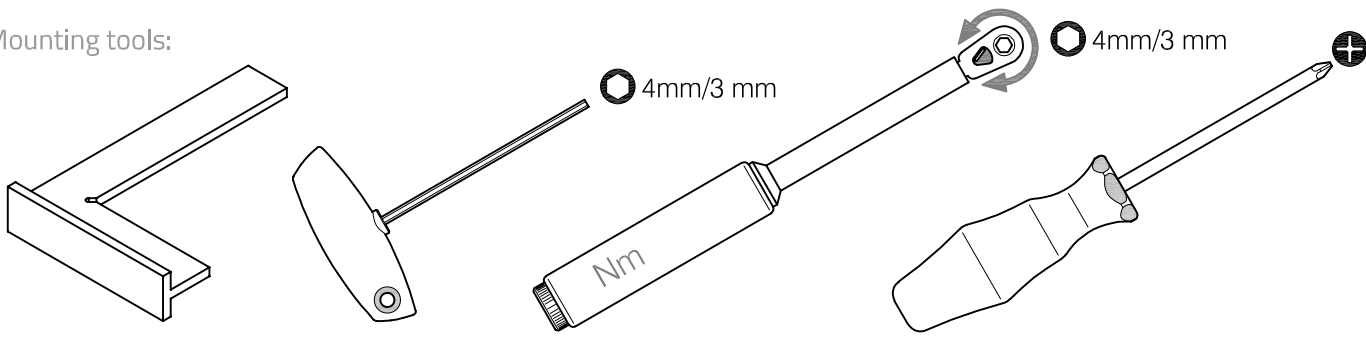
Strike box installation see **part 2**



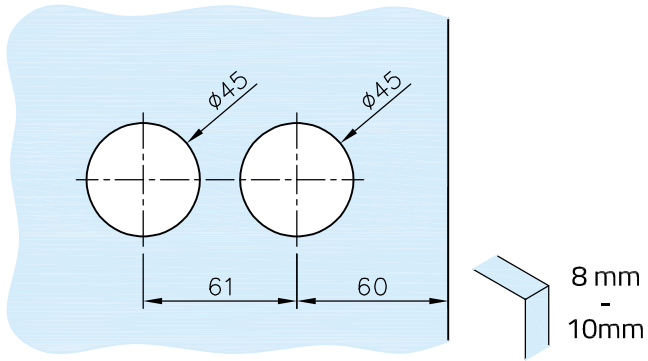
Scope of supply

 Strike plate	 Cover stripe	 Handle guide rings for Ø16mm and Ø18mm	 Cover rings for Ø16mm und Ø18mm handles
 Mounting tool	 Allen key - 4mm/3mm and 2mm		

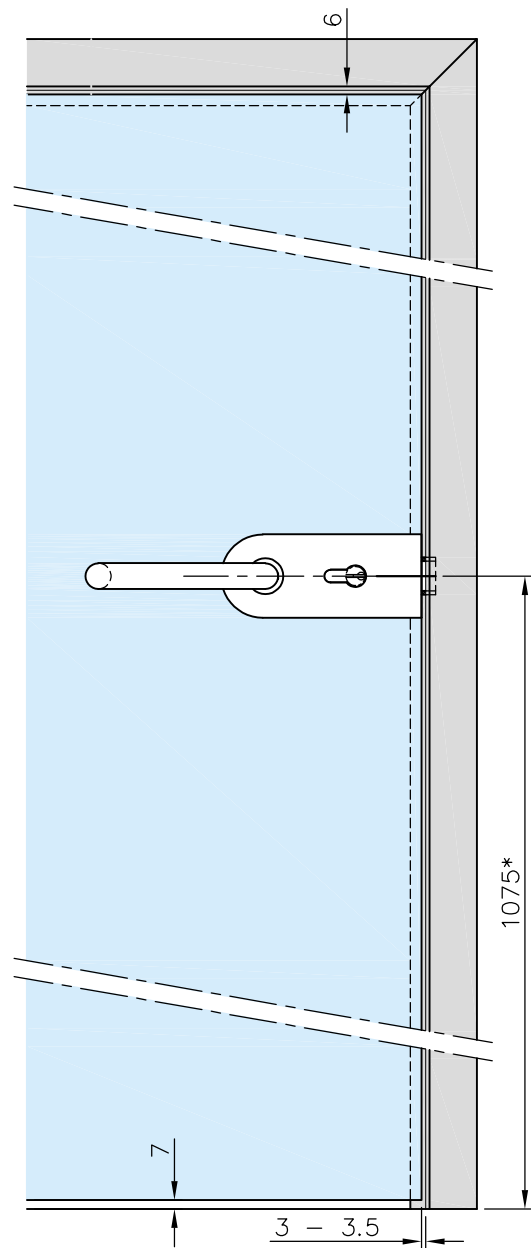
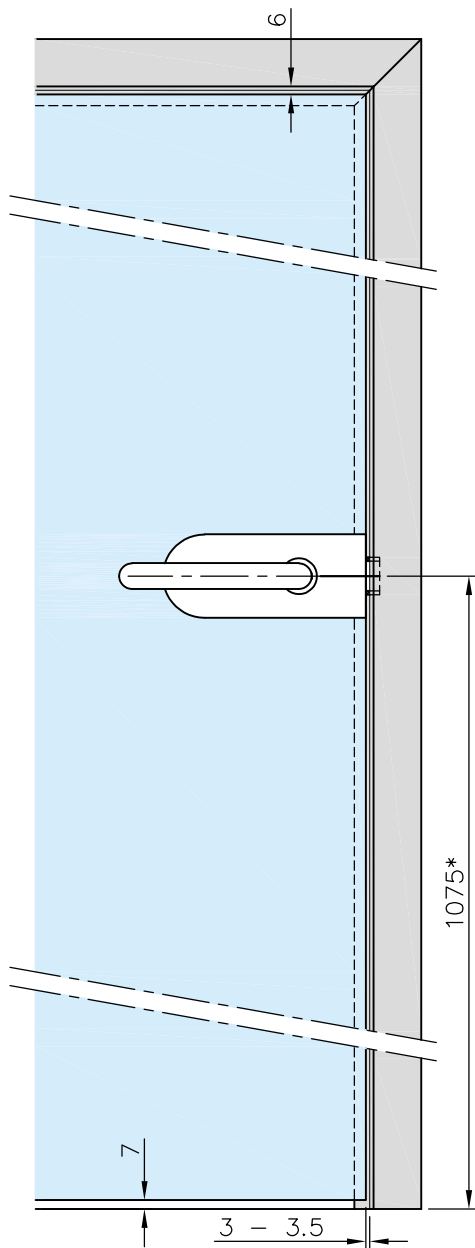
Mounting tools:



Glass preparation:

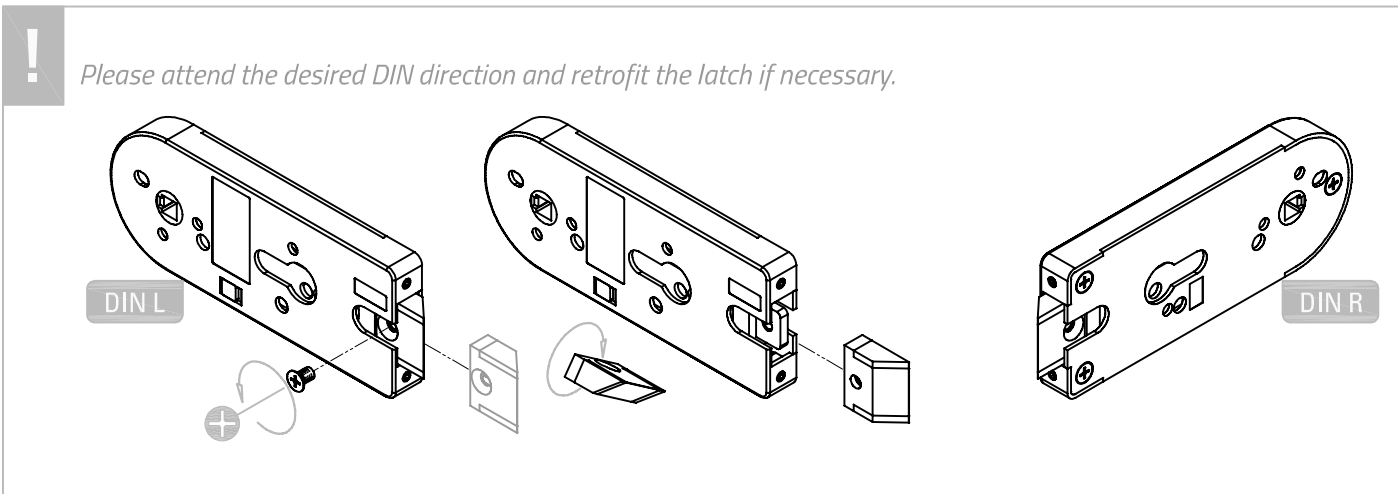
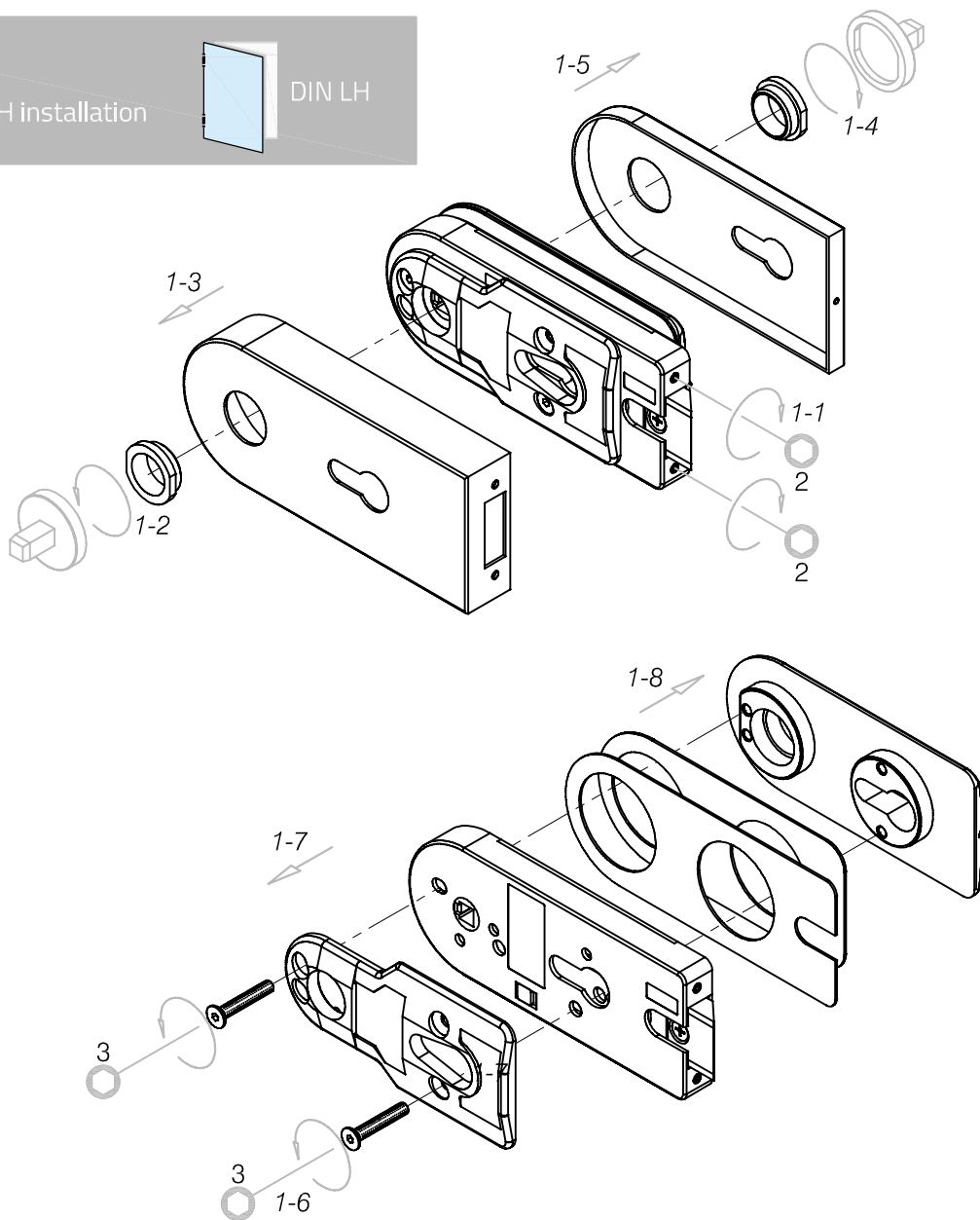


*Important:
The glass clamping area must be cleaned before installation.
(Do not use thinners/solvents!)*

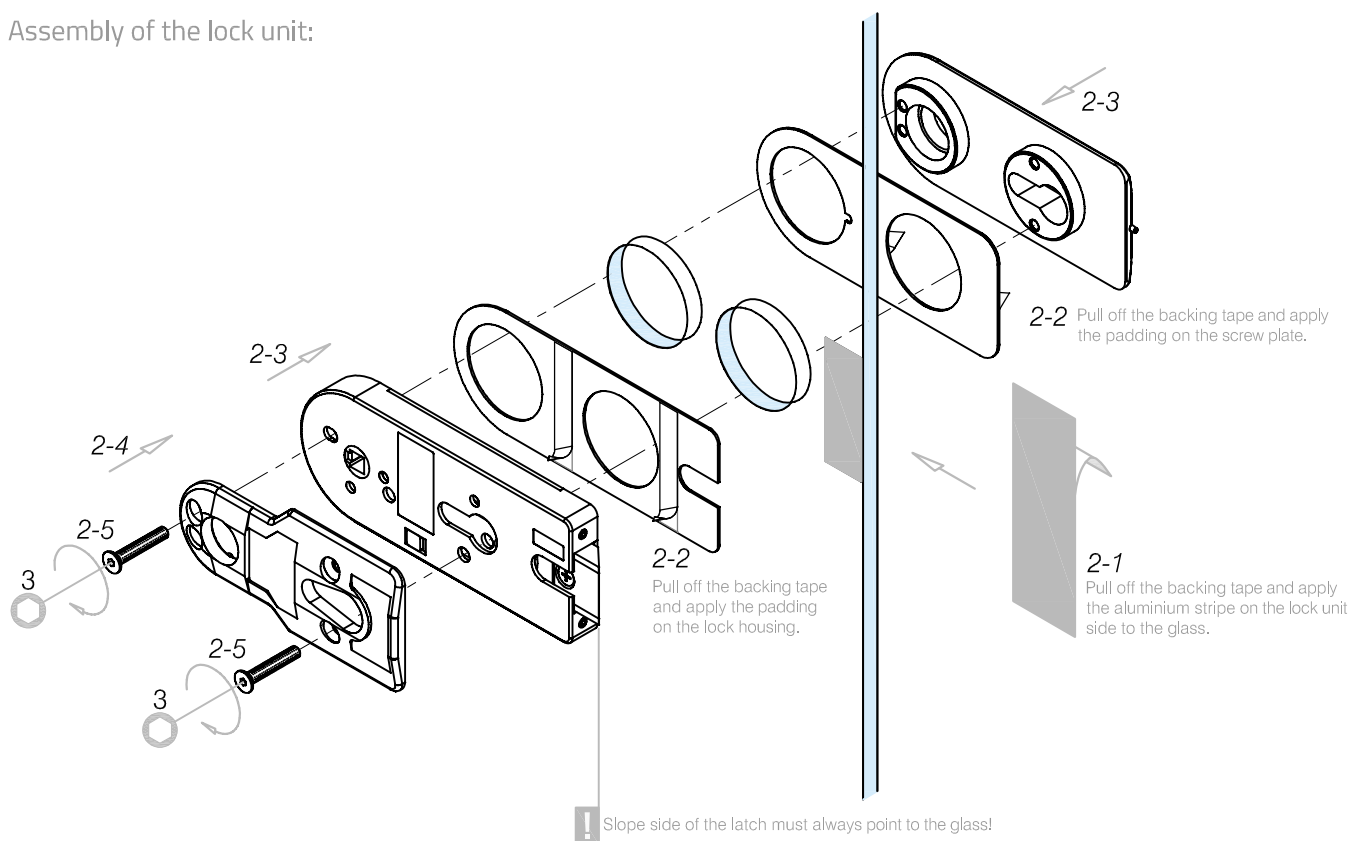


*Recommended door handle height

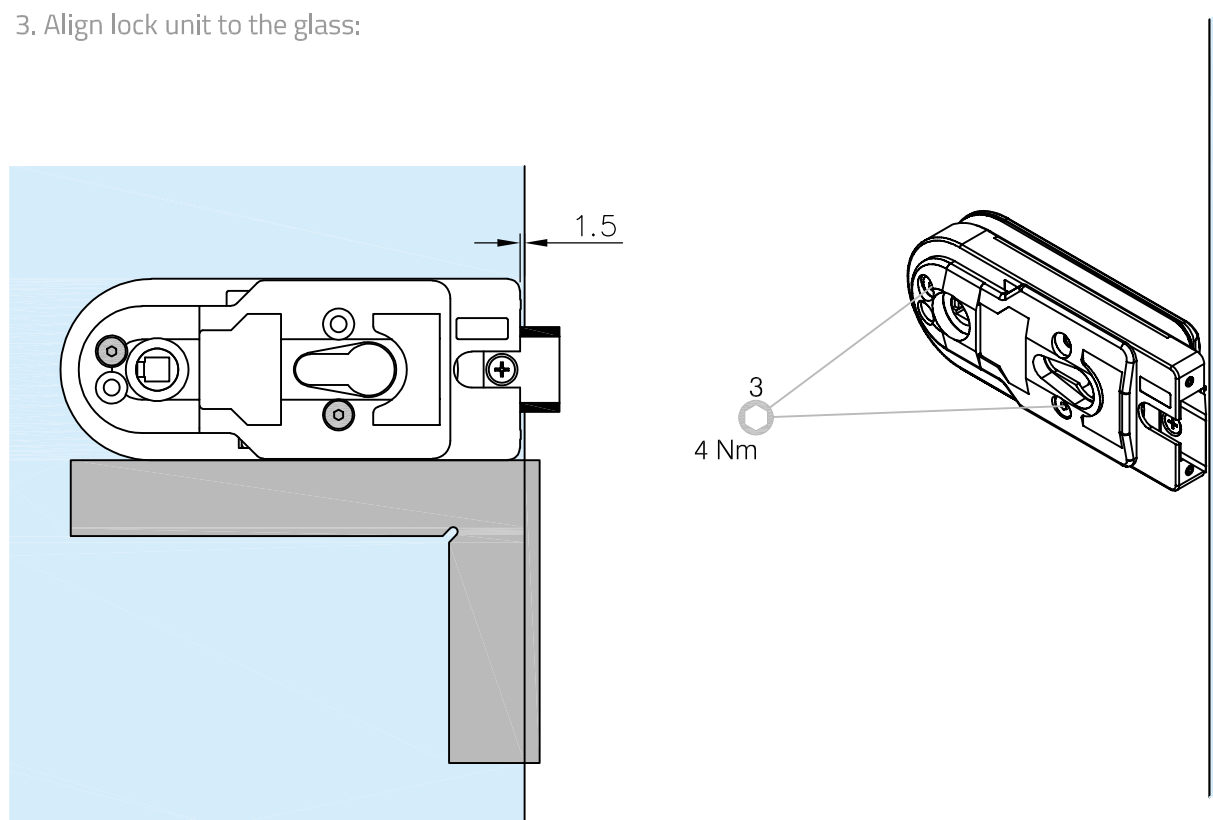
1. door lock preparation:



2. Assembly of the lock unit:

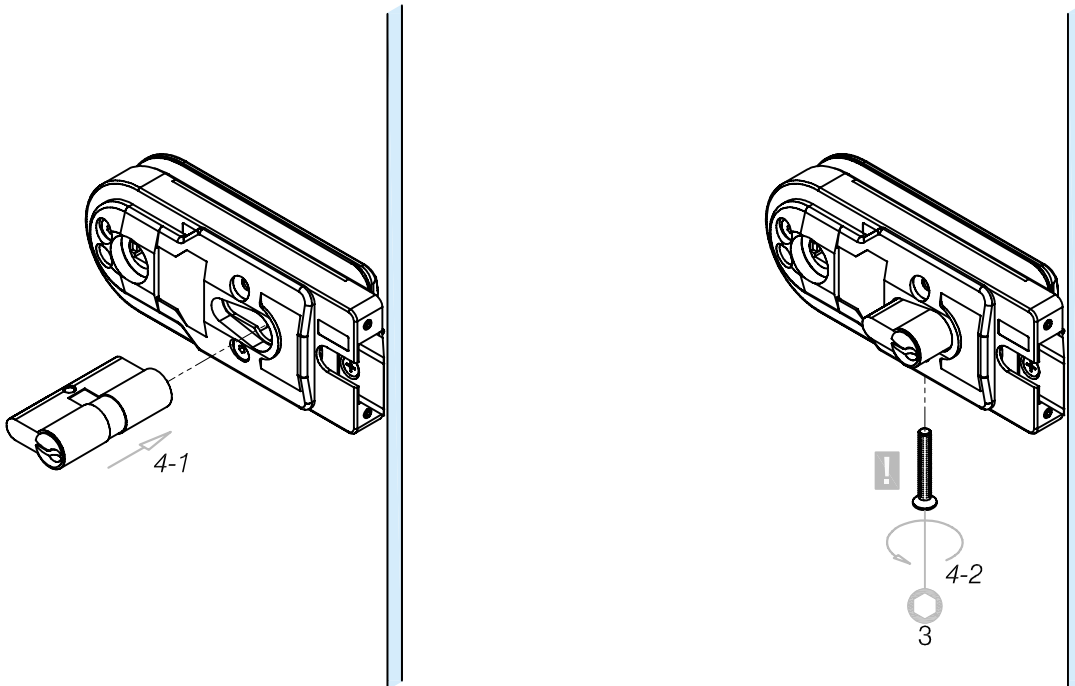


3. Align lock unit to the glass:



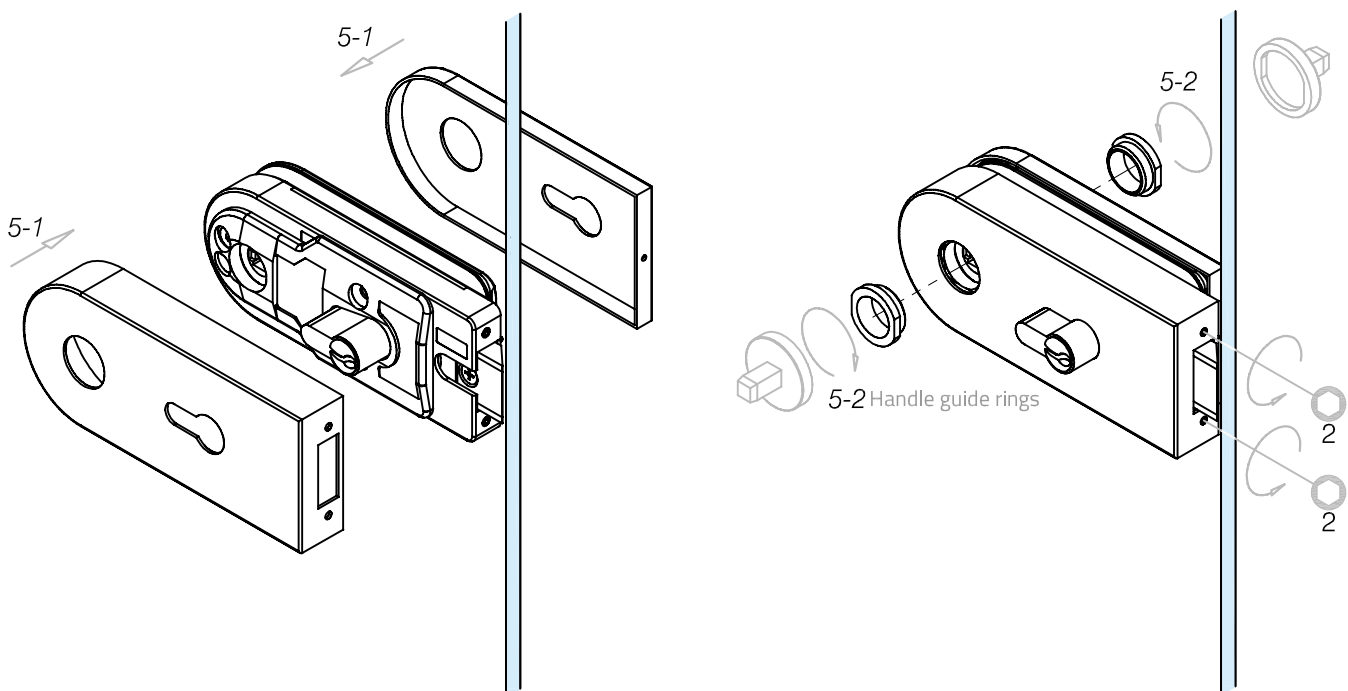
4. Profile cylinder assembling

Profile Cylinder for Glass Door Lock is sold separately.No cylinder installaton required for Door Latch.



! Screw length not longer than 35mm! (scope of supply)

5. Assembly of the cover caps:



6. Assembly of the lever handles:

Your Lever Handles may be different model with different shape or dimensions.

