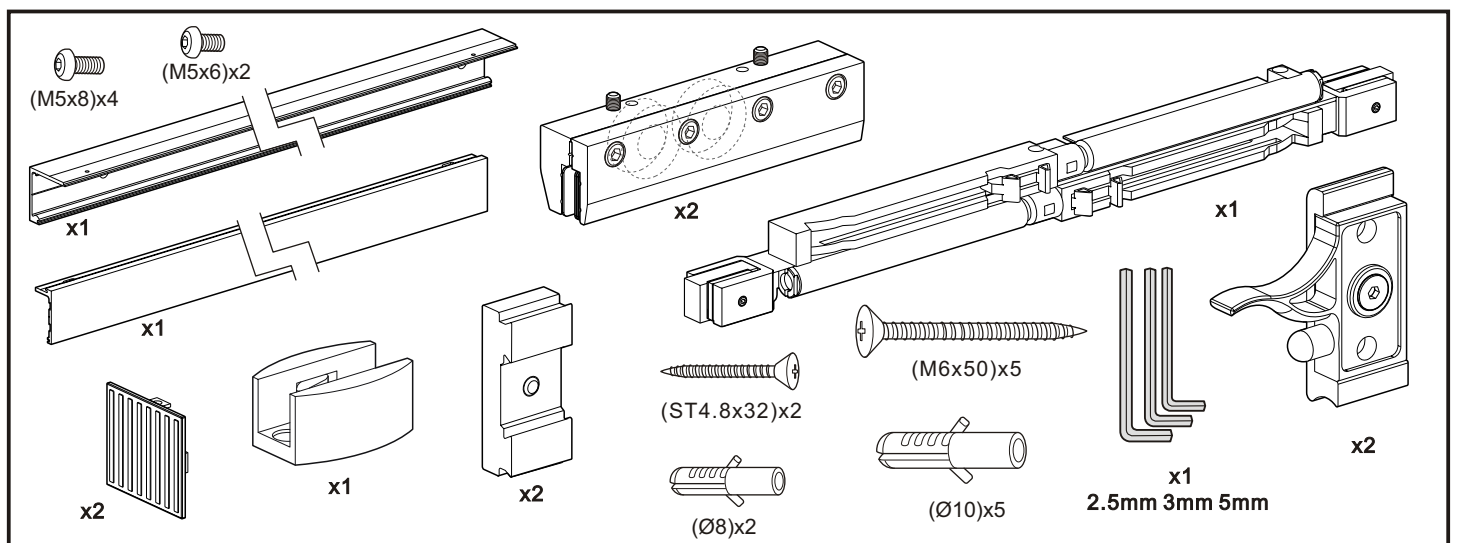
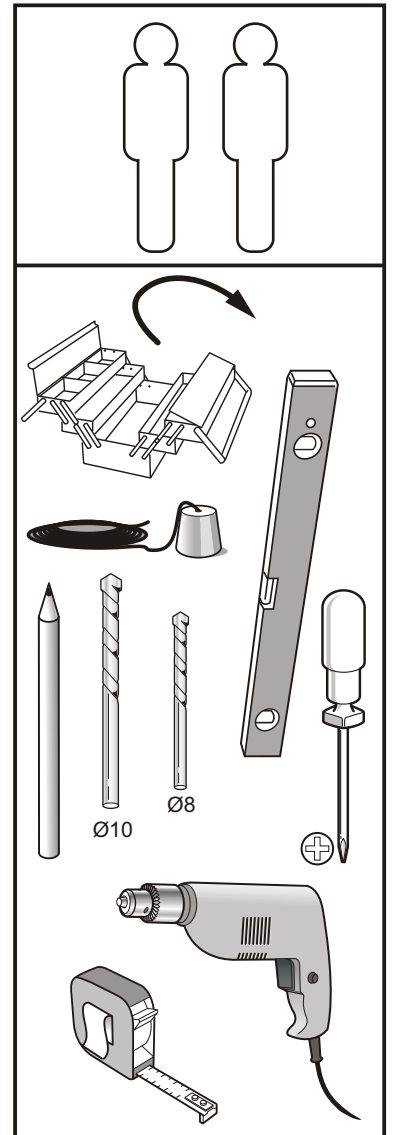
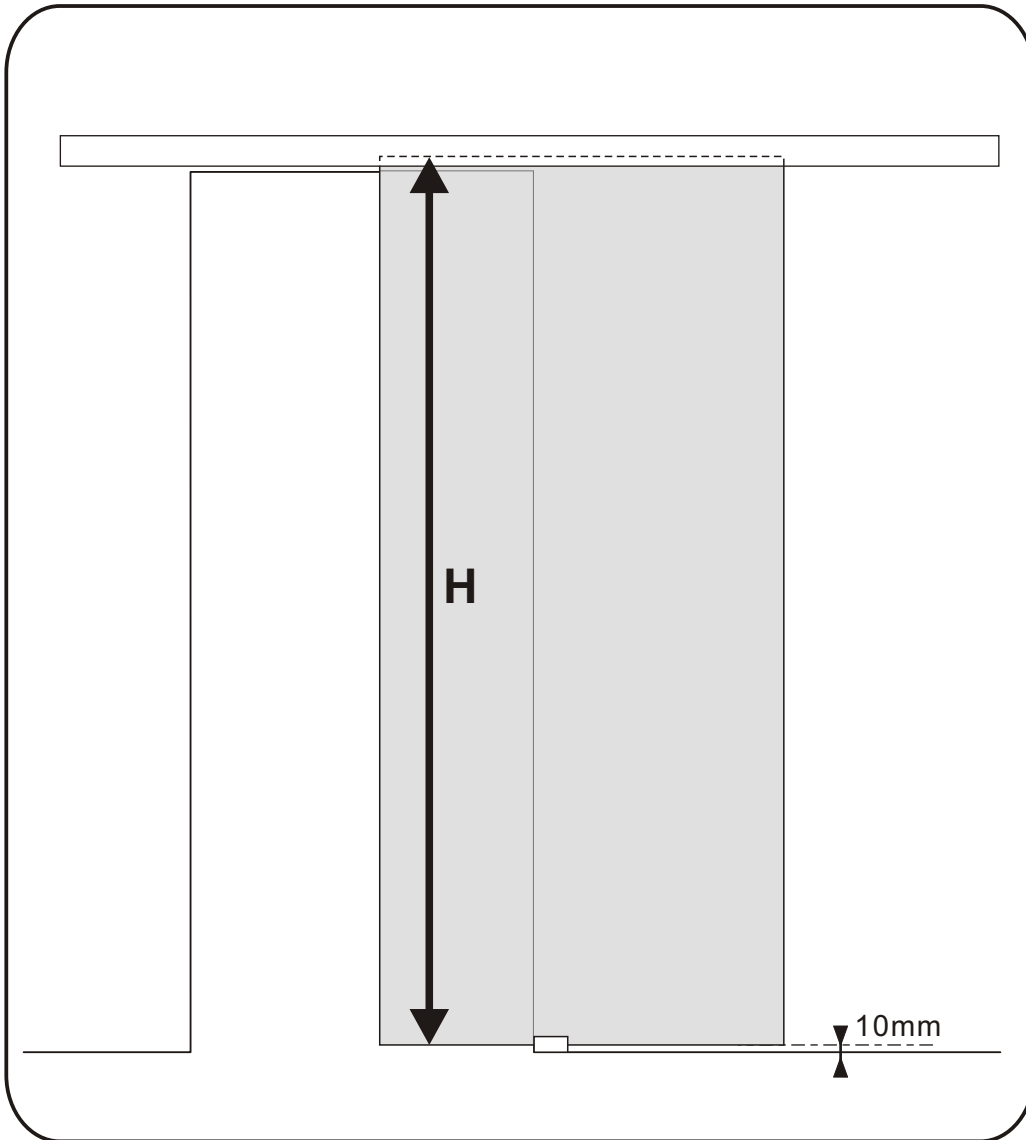
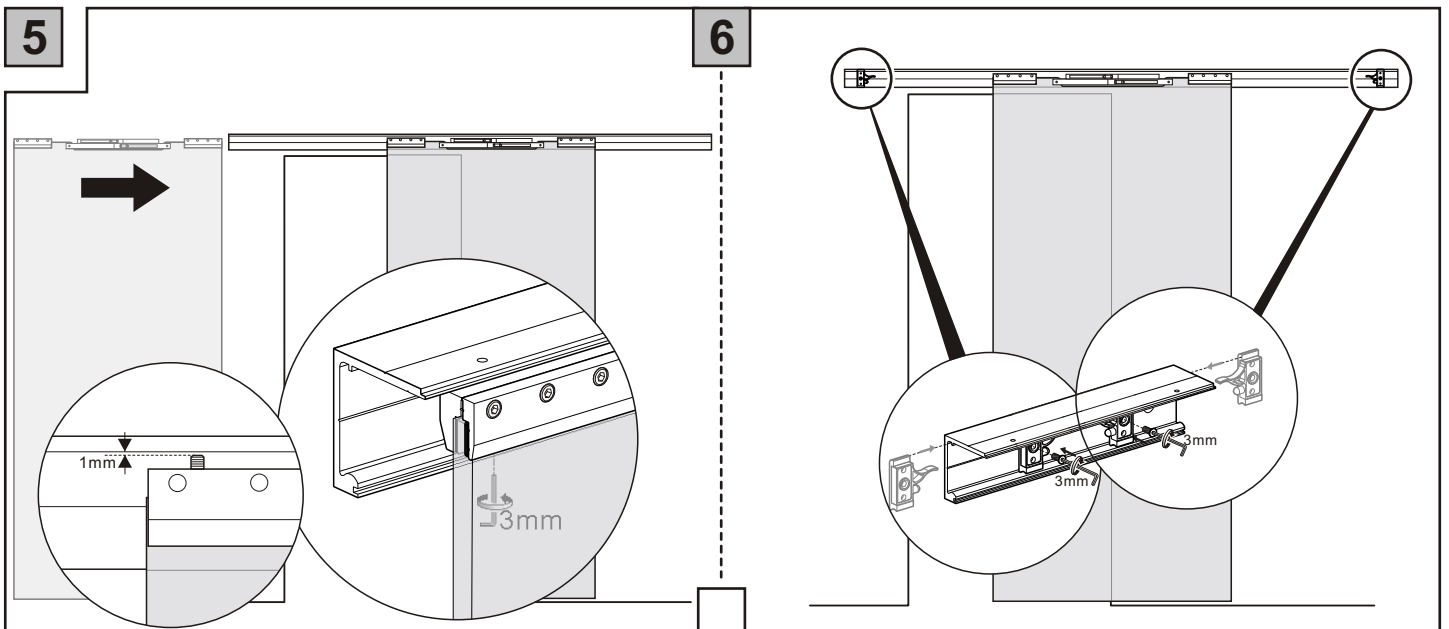
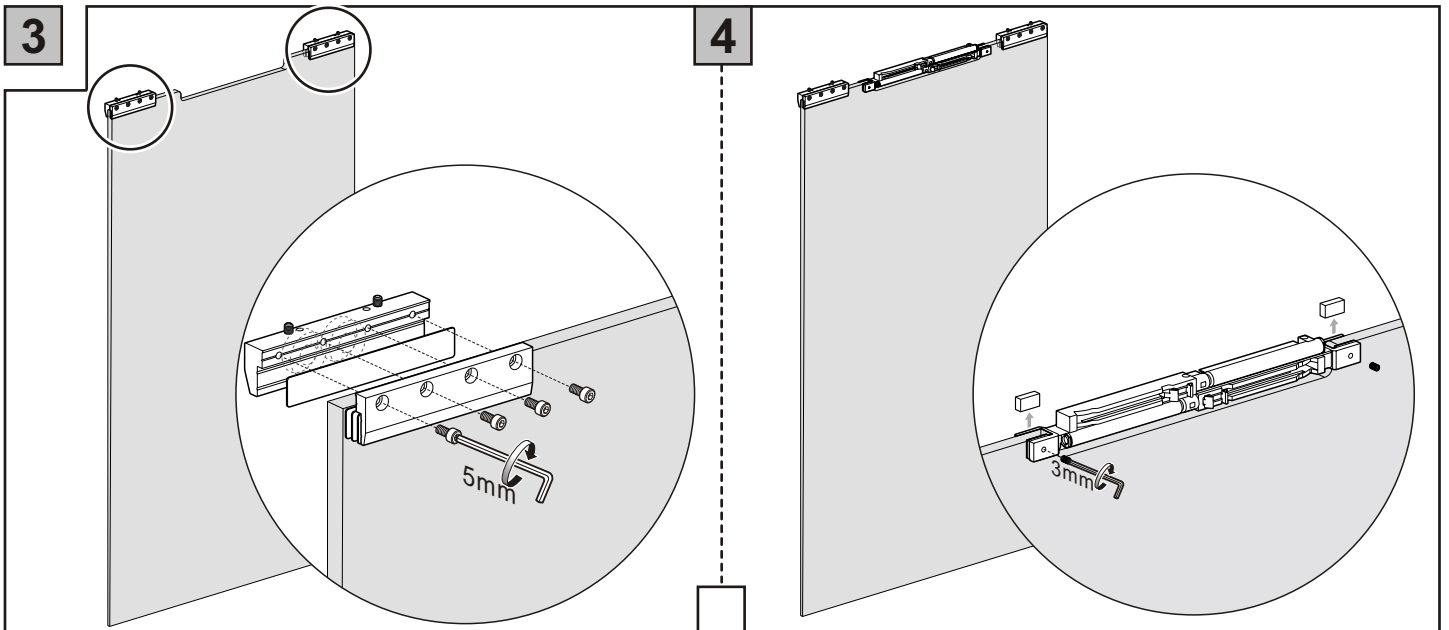
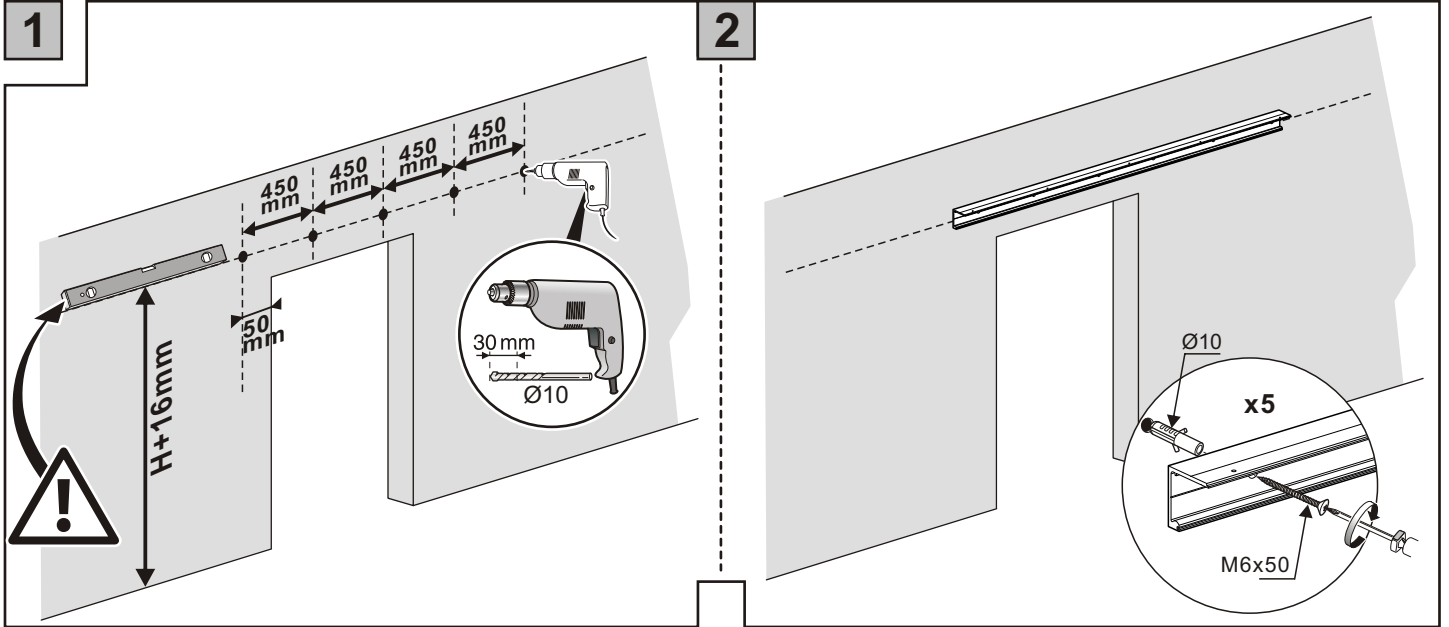


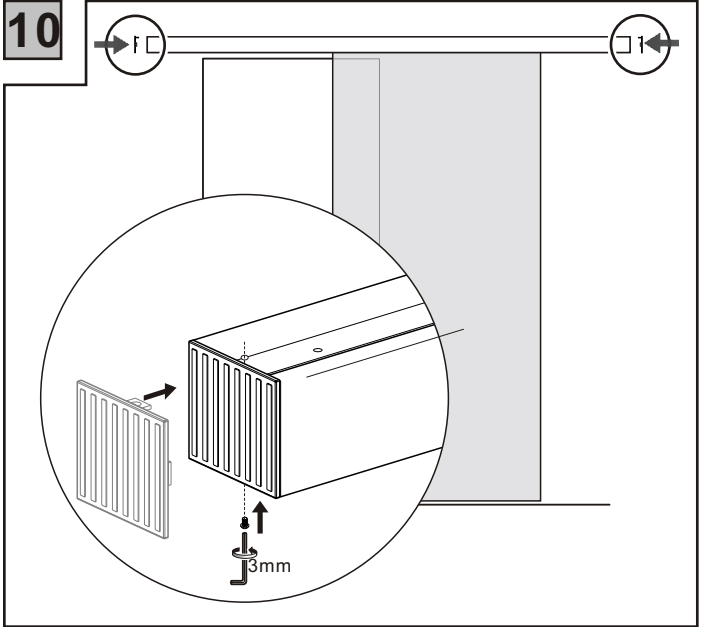
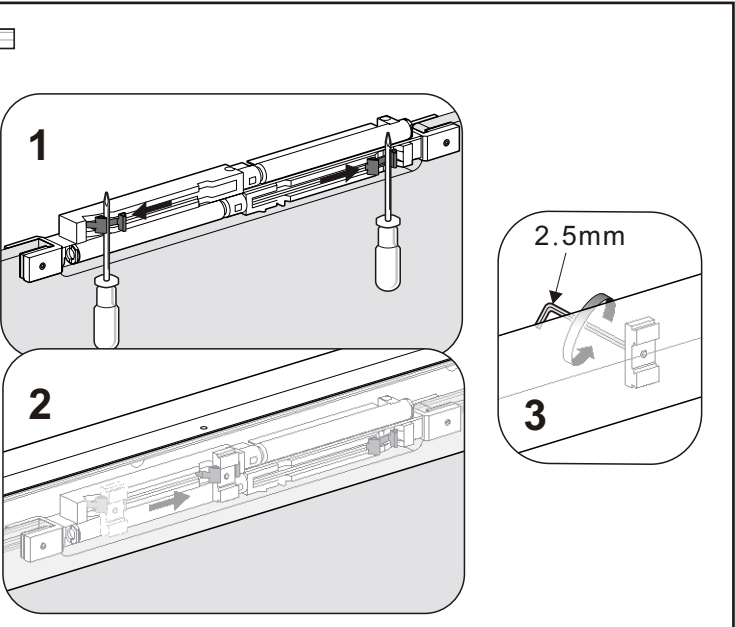
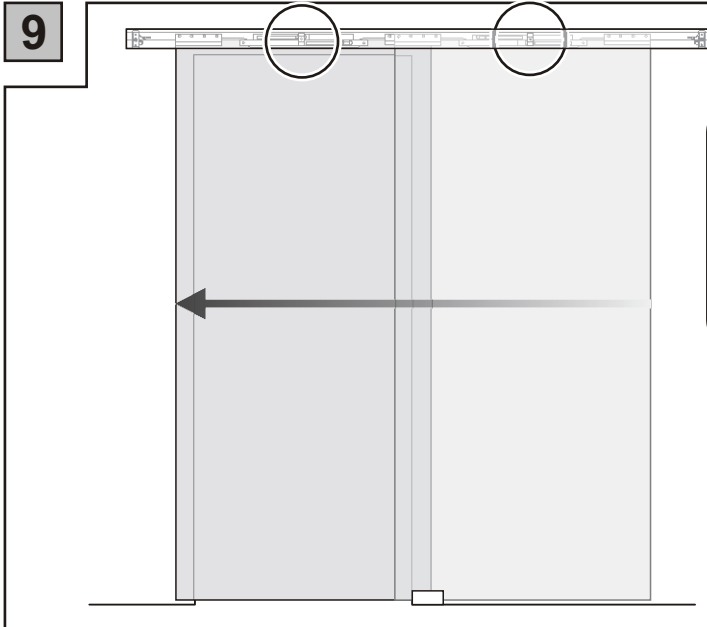
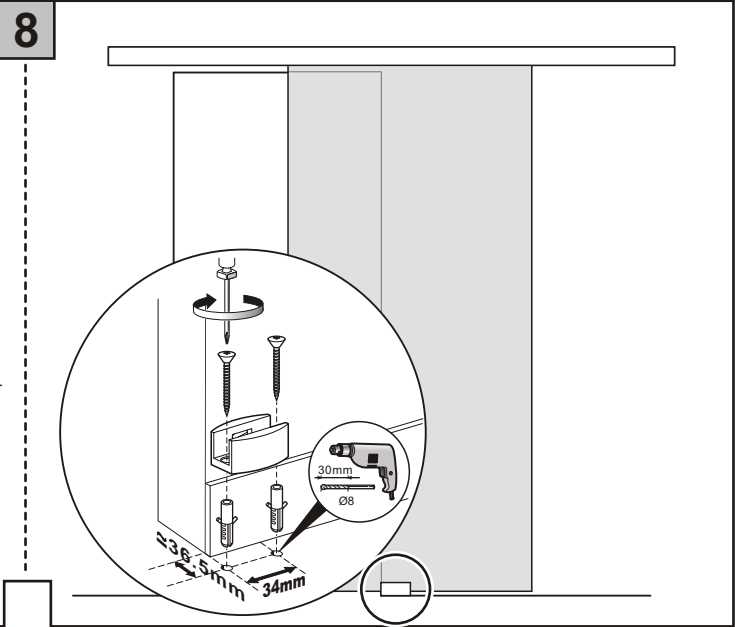
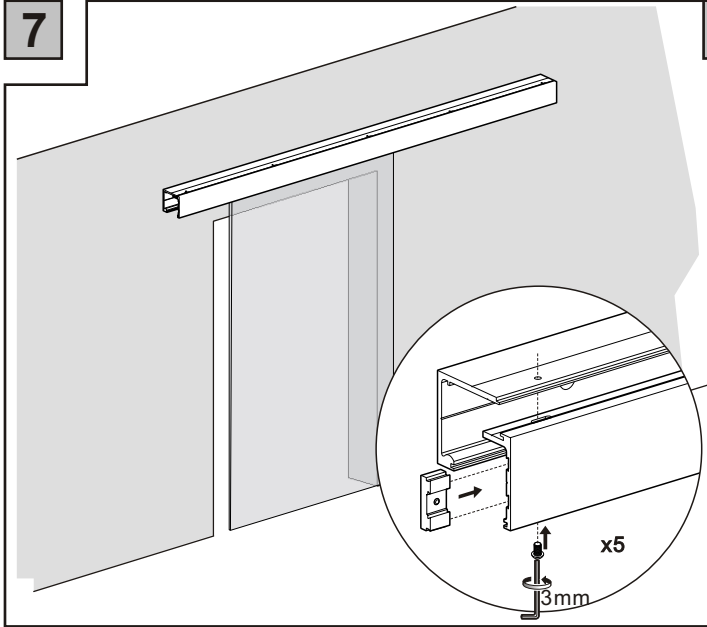
Aluminium glass sliding door

Item Code: SLD-AL-421

www.kerolhardware.co.uk







For 8-12mm glass thickness.
 Max. load capacity: 70 kg

Calculation of glass height: $GH = LH + X + 23.5$
 Calculation of glass width: $GW = LX + 100$

GW = Glass width
 GH = Glass height
 H = Distance holes center for rail to ground
 LH = Clear opening height
 LW = Clear opening width
 X = Distance cover edge to the opening upper side

