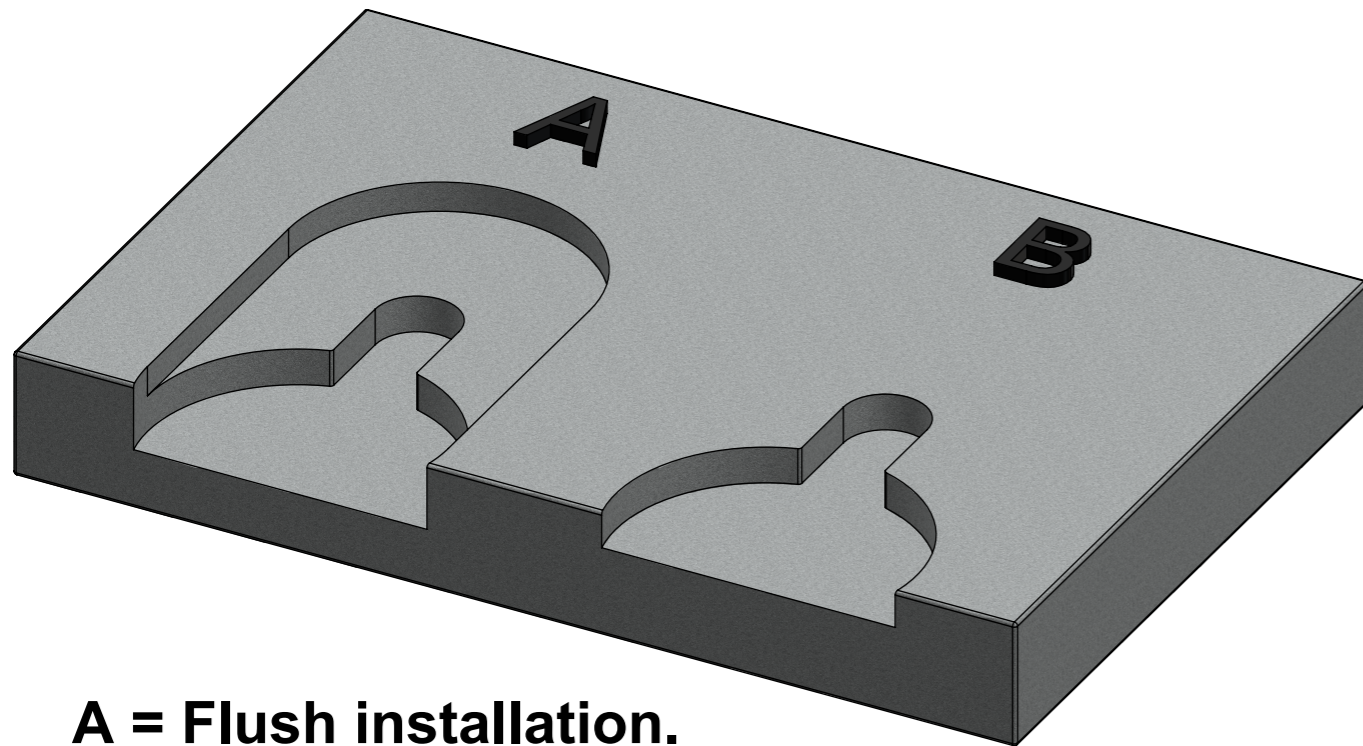
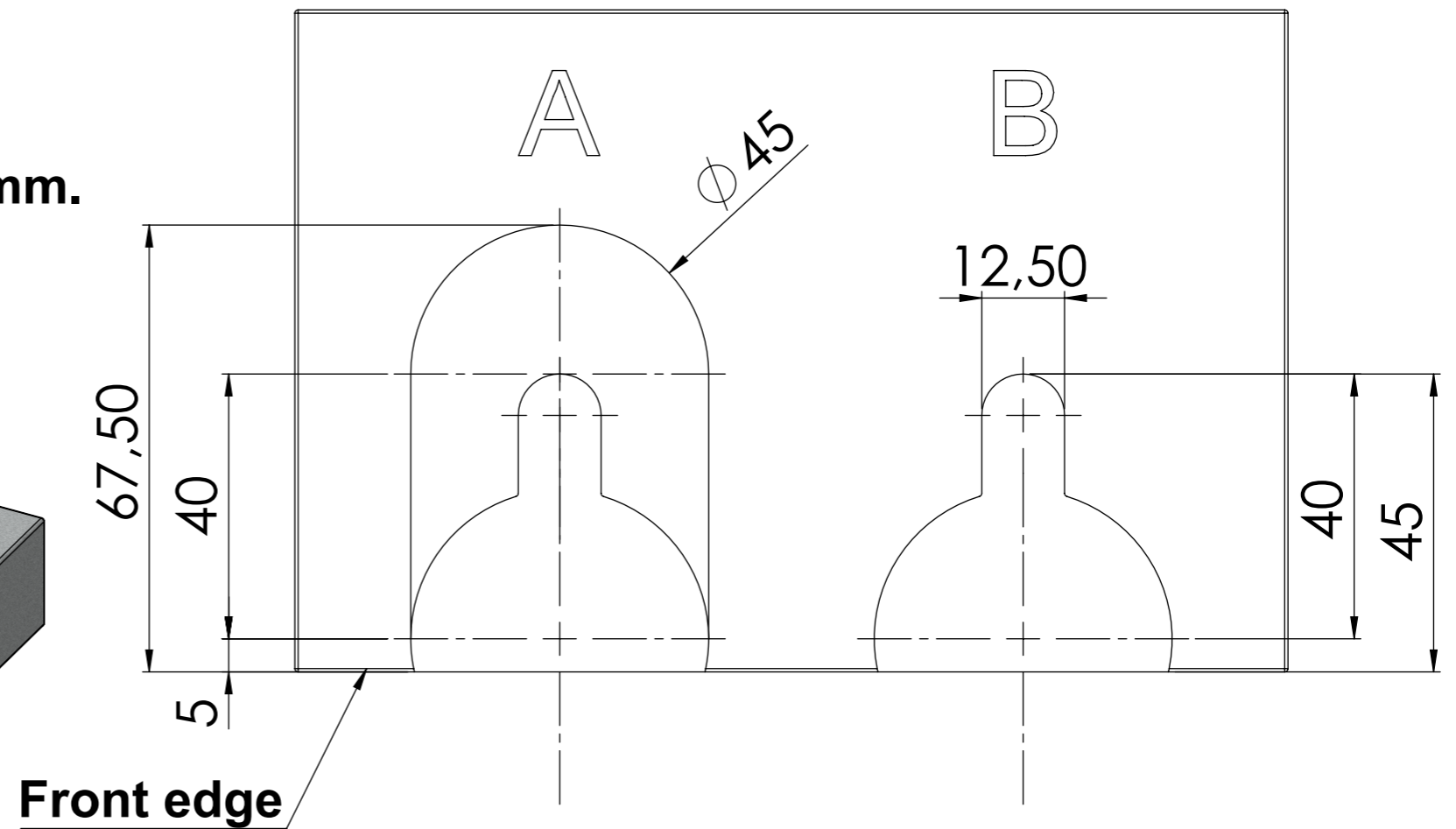
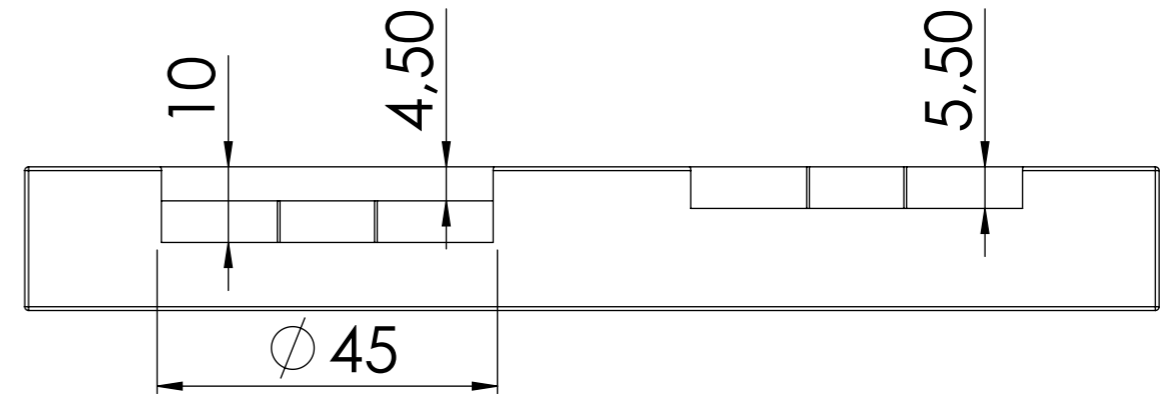
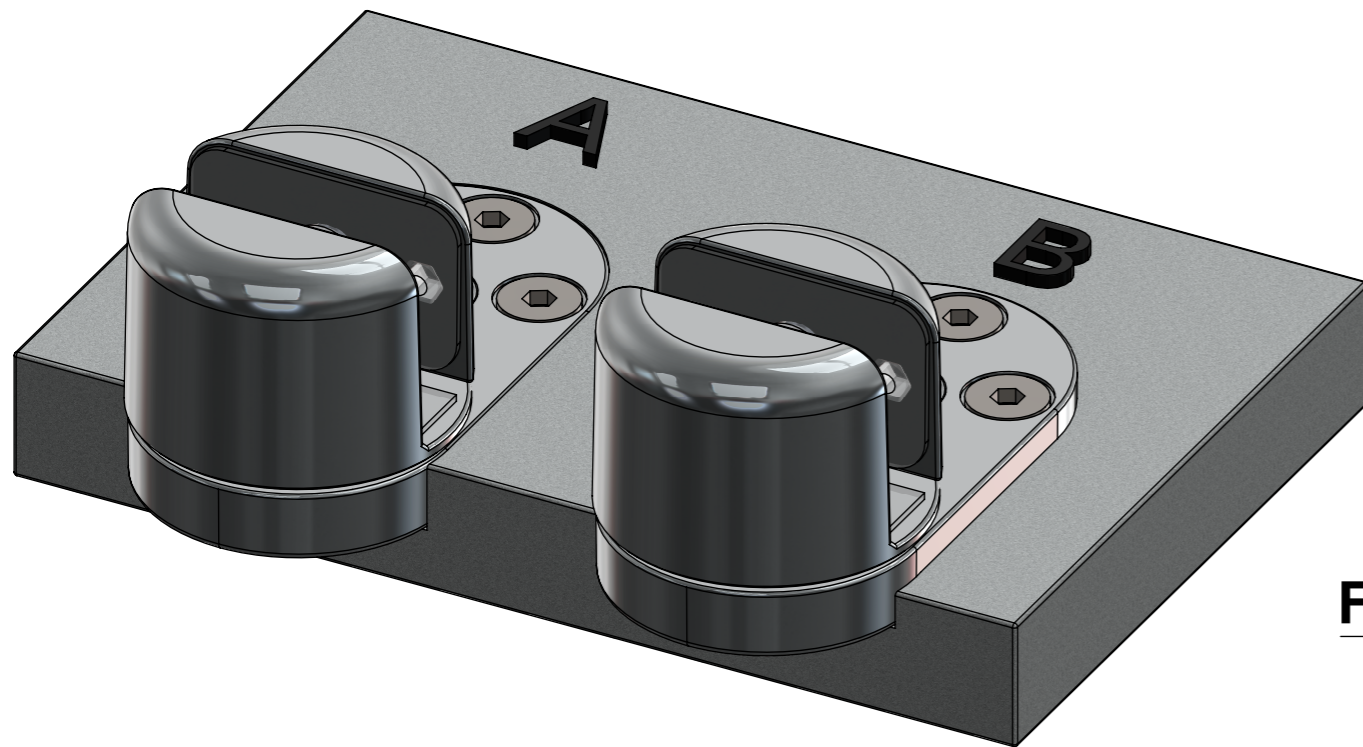


**For door installation as "insert" setup.
(Door front is flush with the front edge)**

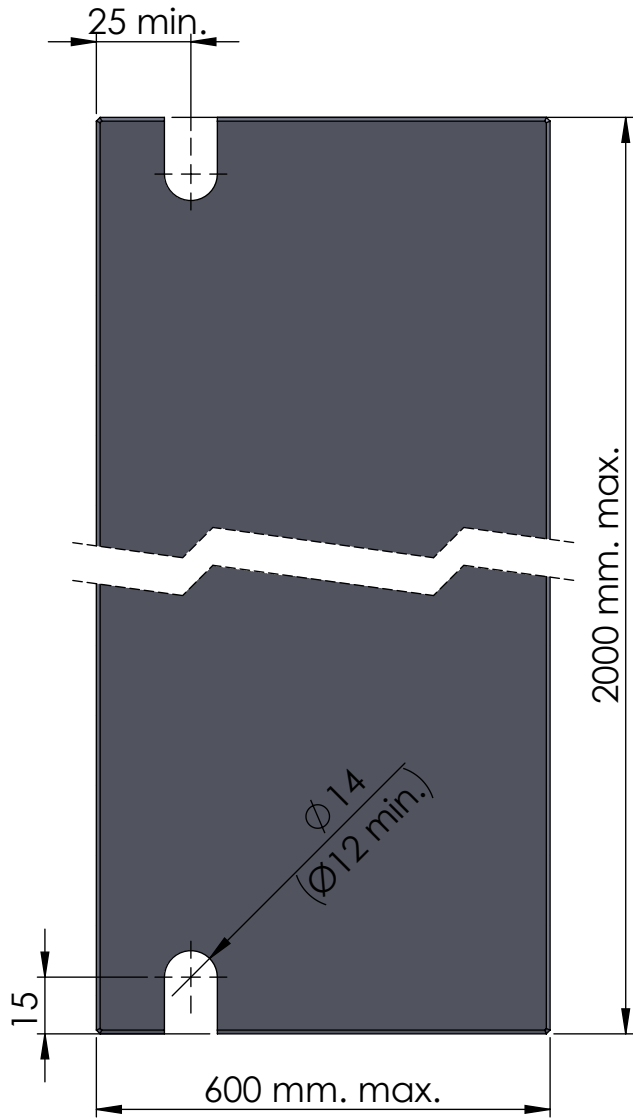


A = Flush installation.

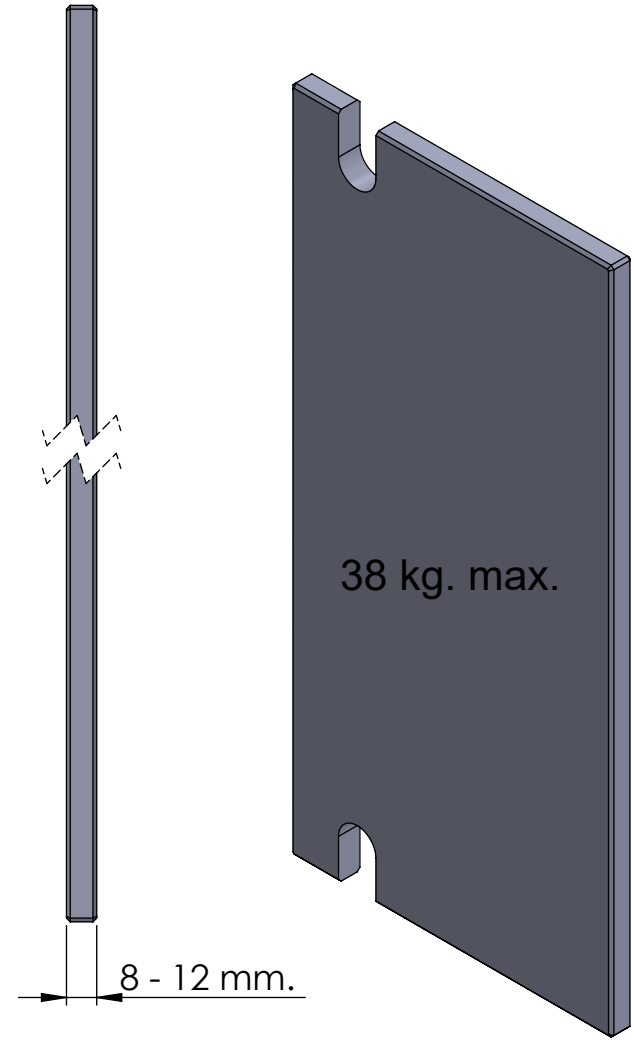
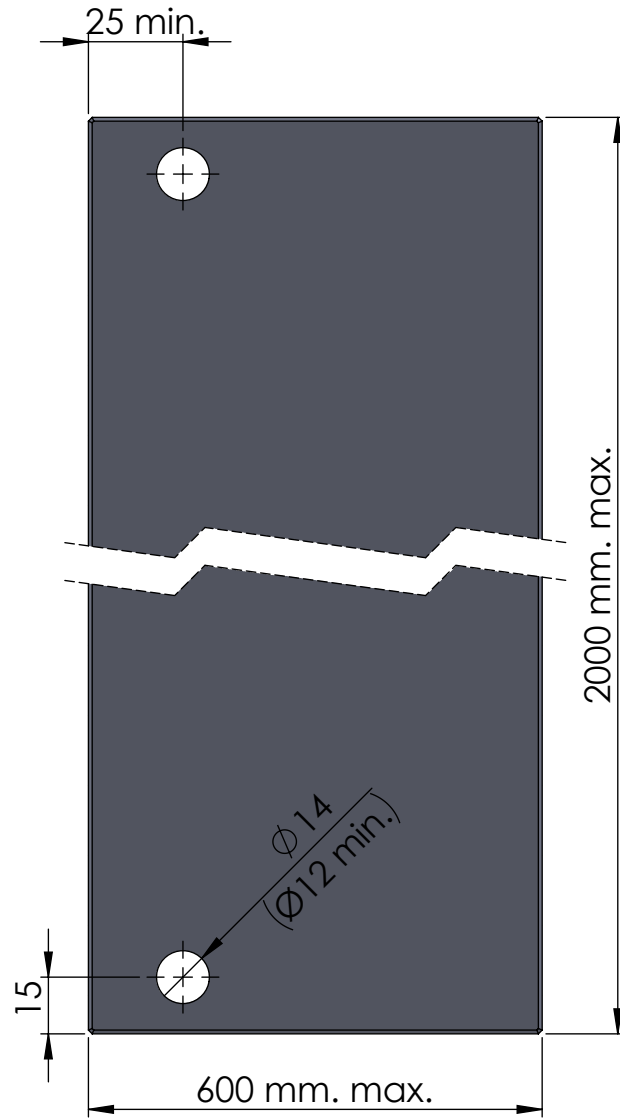
B = Elevated installation 4,5mm.

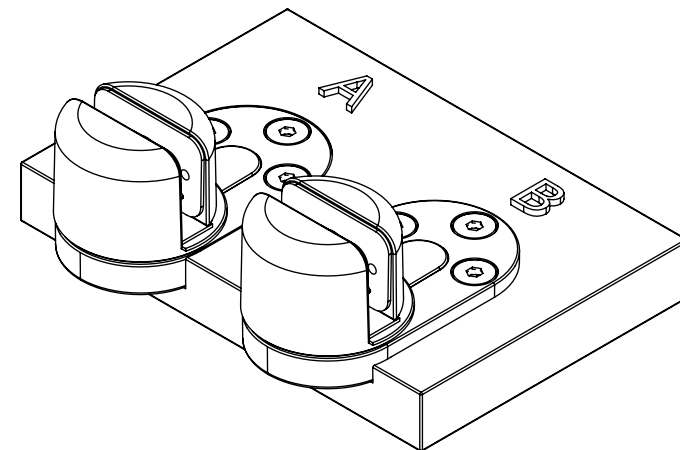
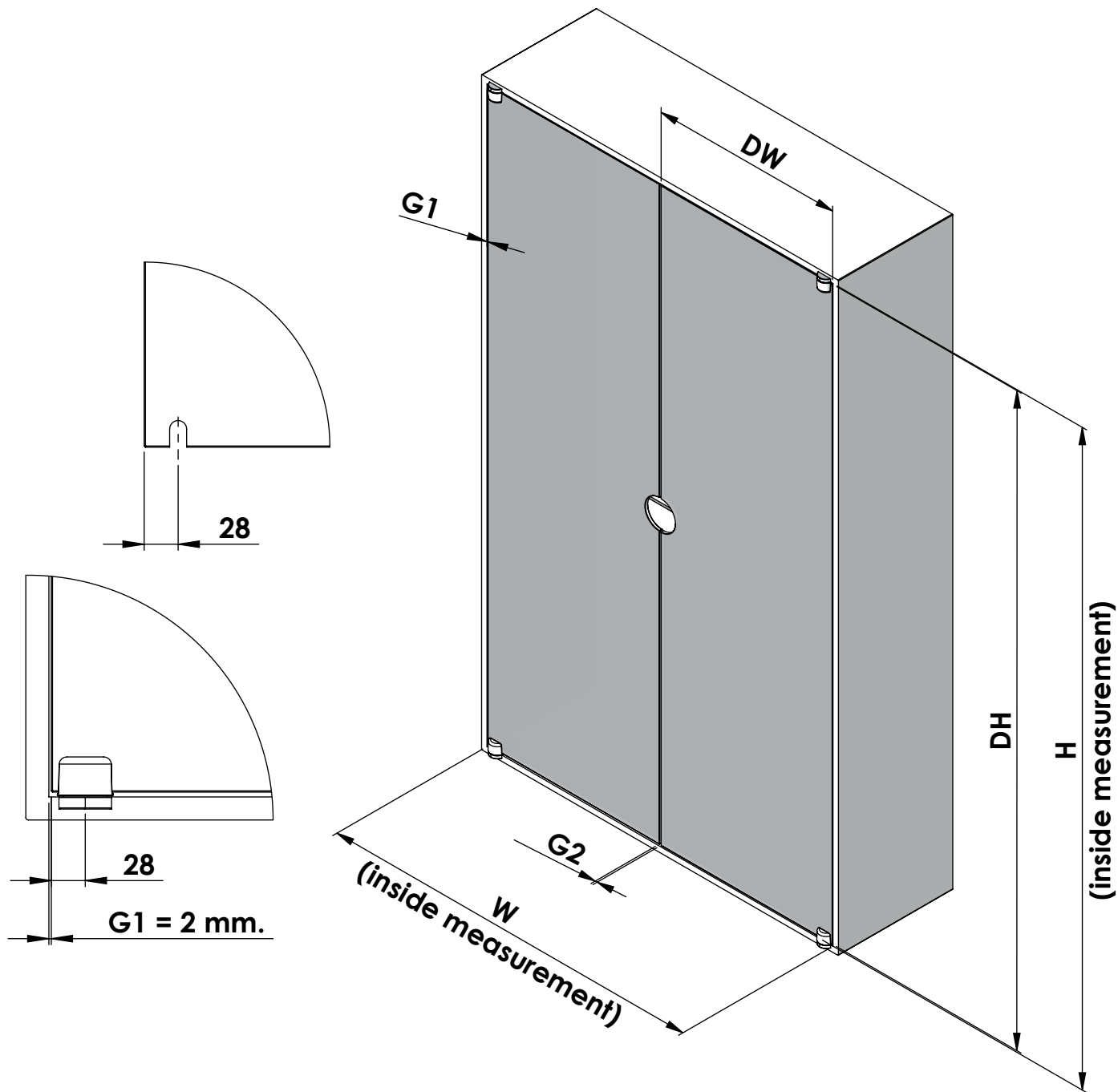


Option A



Option B



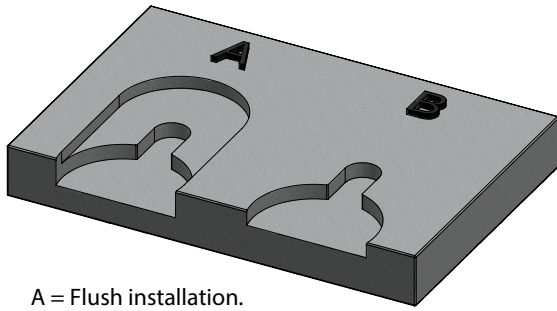


**DH - Door Height
by "A" Flush hinge installation:**
H - 9 mm. = DHa

**DH - Door Height
by "B" elevated hinge installation:**
H - 18 mm. = DHb

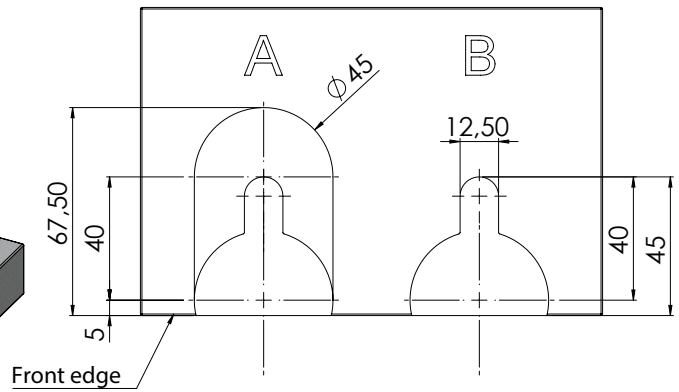
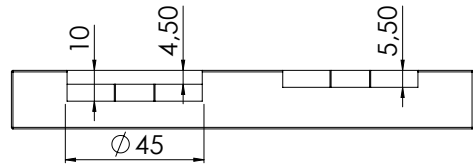
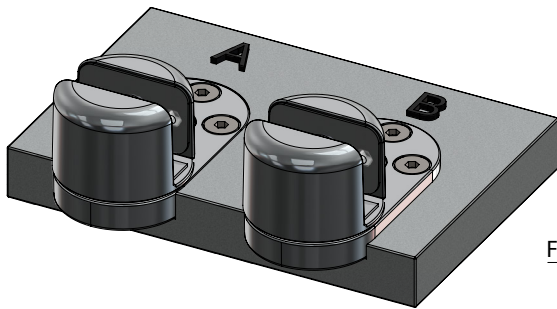
**DW - Door width
by single door:**
W - G1 - G2 = DWs

**DW - Door width
by double door:**
W - (G1x2) - G2 = DW x 0,5 = DWd



A = Flush installation.

B = Elevated installation 4,5mm.



Angle adjustment by use of sloping gaskets.

