

Installation Instruction

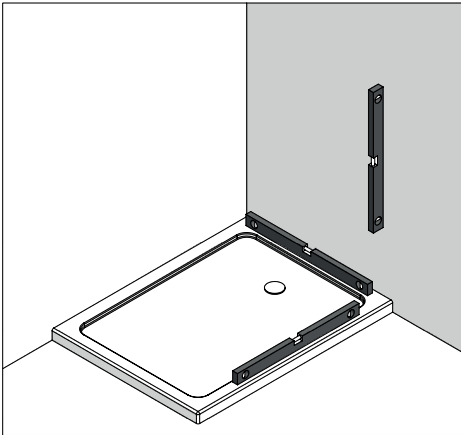
Adjustable Wall Profile for 8mm & 10mm Shower Screen

ITEM CODE: WPF-005

IMPORTANT NOTES:

Please Read Carefully & retain these instructions for Future Reference.

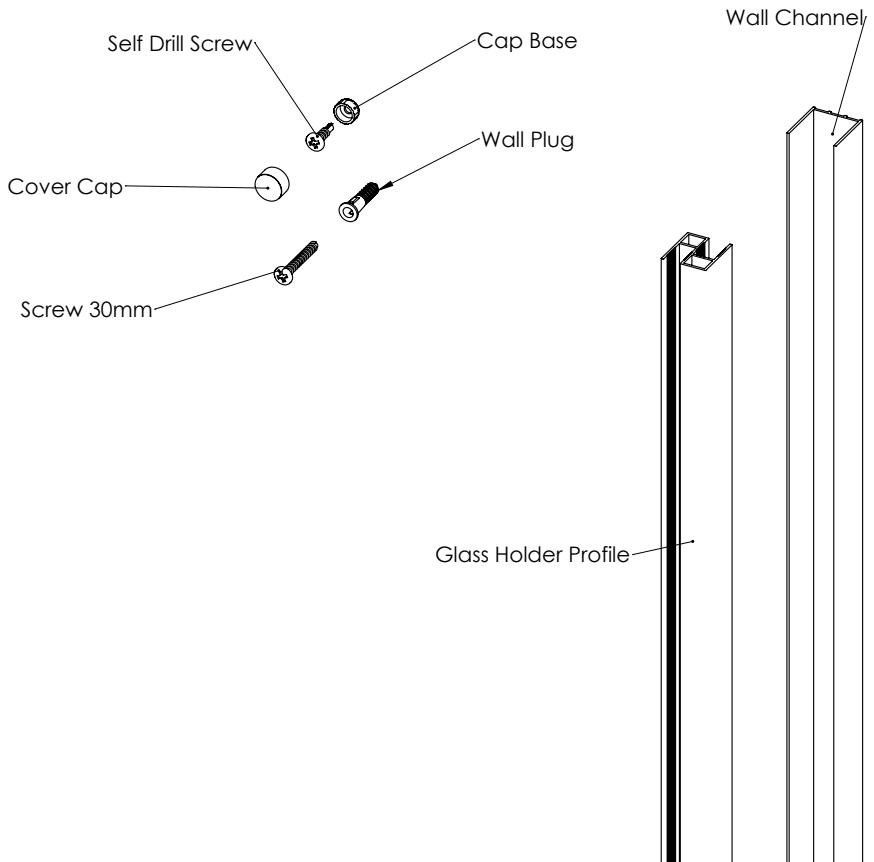
1. For ease & safety we advise that two persons assemble this product.
2. Protect shower tray surfaces at all times.
3. Exposed glass corners / edges **MUST NOT** contact hard surfaces at any time.
4. Check for cables, pipes etc before drilling walls.
5. Ensure all surfaces are dry, clean & free of loose debris / dust.
6. Unpack goods with care (small parts can become lodged in packaging & inadvertently discarded).
7. Whilst precautions are taken in manufacture, care must be taken when handling as rail ends may have sharp edges.
8. Before commencing, check:
 - a) shower tray (or base) is level & completely sealed to finished / tiled walls.
 - b) finished walls are square to the tray and sound & free of cracks, loose tiles / grout.
9. **AFTER INSTALLATION, DO NOT 'WET' ENCLOSURE FOR 48 HOURS TO ENSURE FULL CURE OF SILICONE SEALANT.**



Prior to install check the tray is flat and square to the wall.

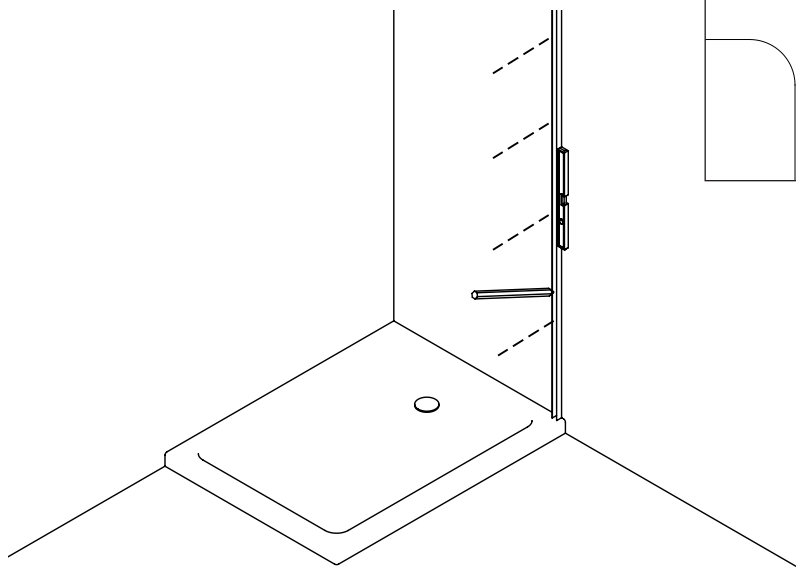
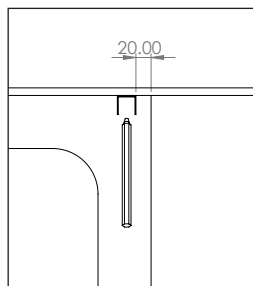
All tiling and grouting should be completed prior to fitting the screen.

Parts List



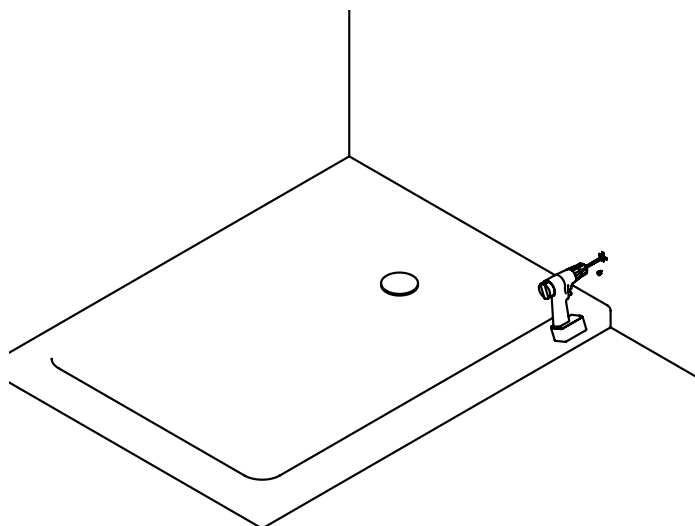
1

Place the wall channel against the wall.
Mark the positions for the wall fixings.



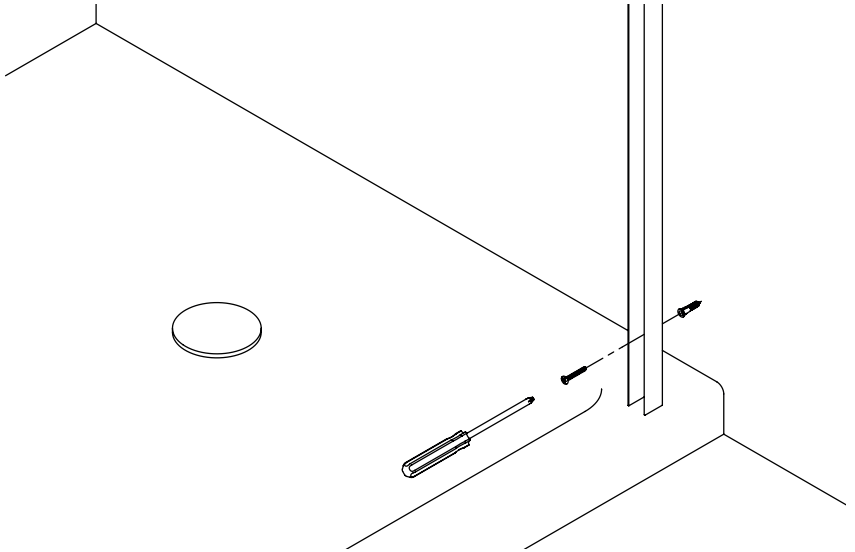
2

Drill 6mm holes into the wall for
the wall fixings.



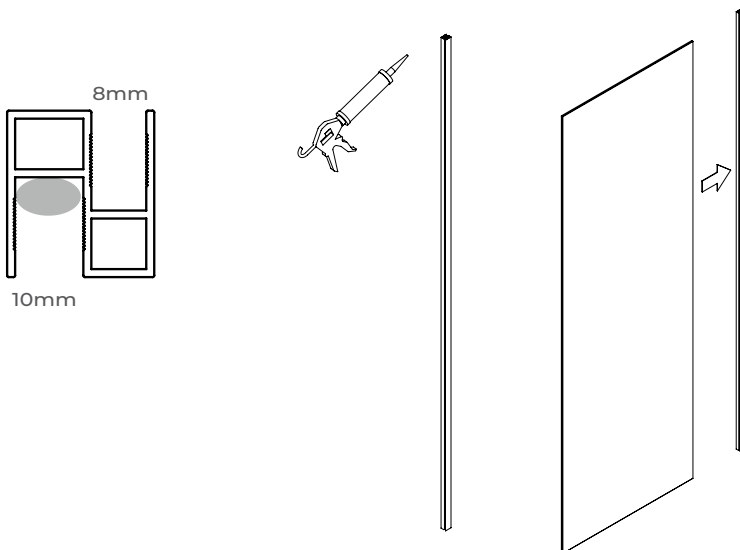
3

Insert the wall fixings and secure the channel with the 30mm screws.

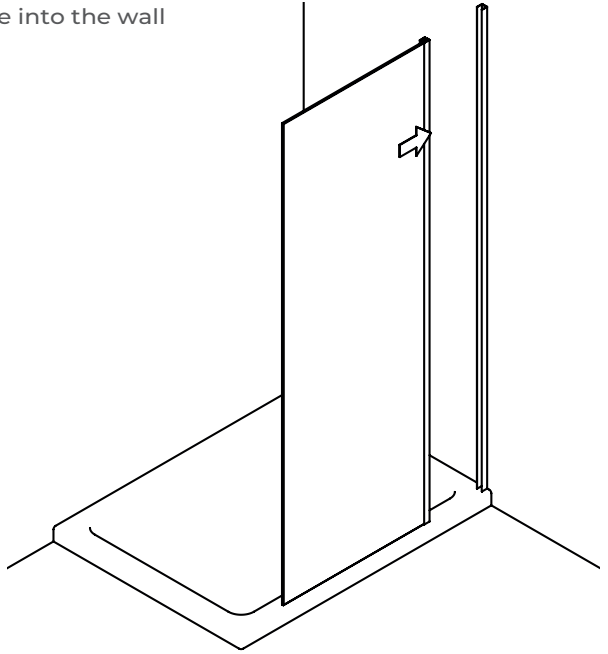
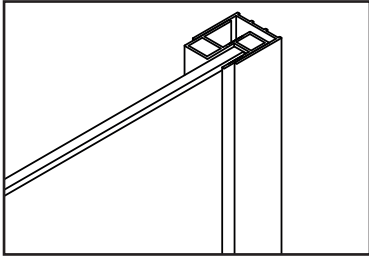
**4**

The Glass holder is designed to accept either 8mm or 10mm glass.

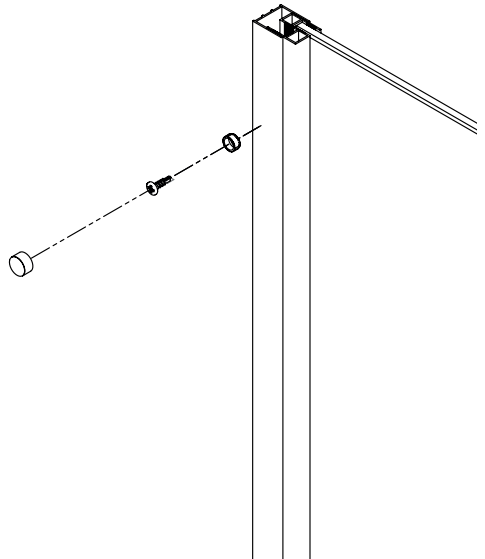
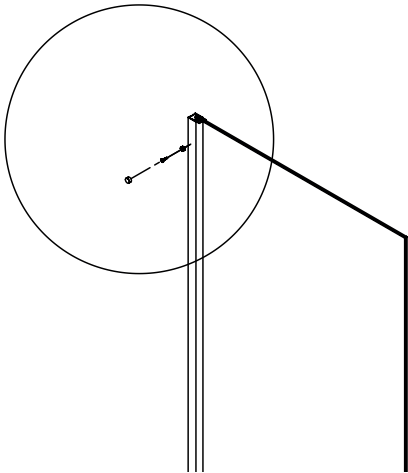
Run a bead of glazing silicone into the appropriate slot and insert the glass panel.



5 Offer the glass and profile into the wall channel



6 Secure the glass panel to the wall channel using the self drill 13mm screws with the cover cap and base



7

Use a quality silicone to seal the outside of the glass panel where it meets the shower tray

